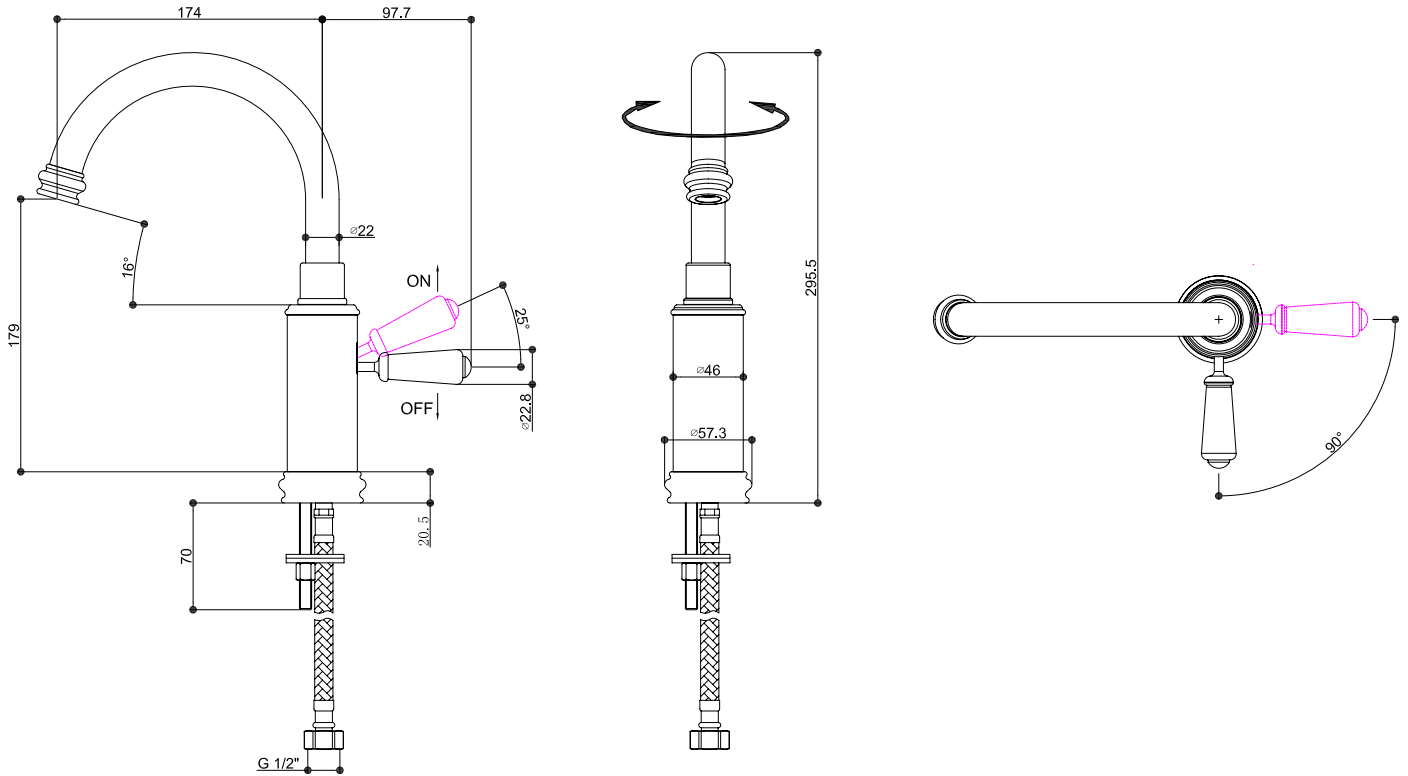
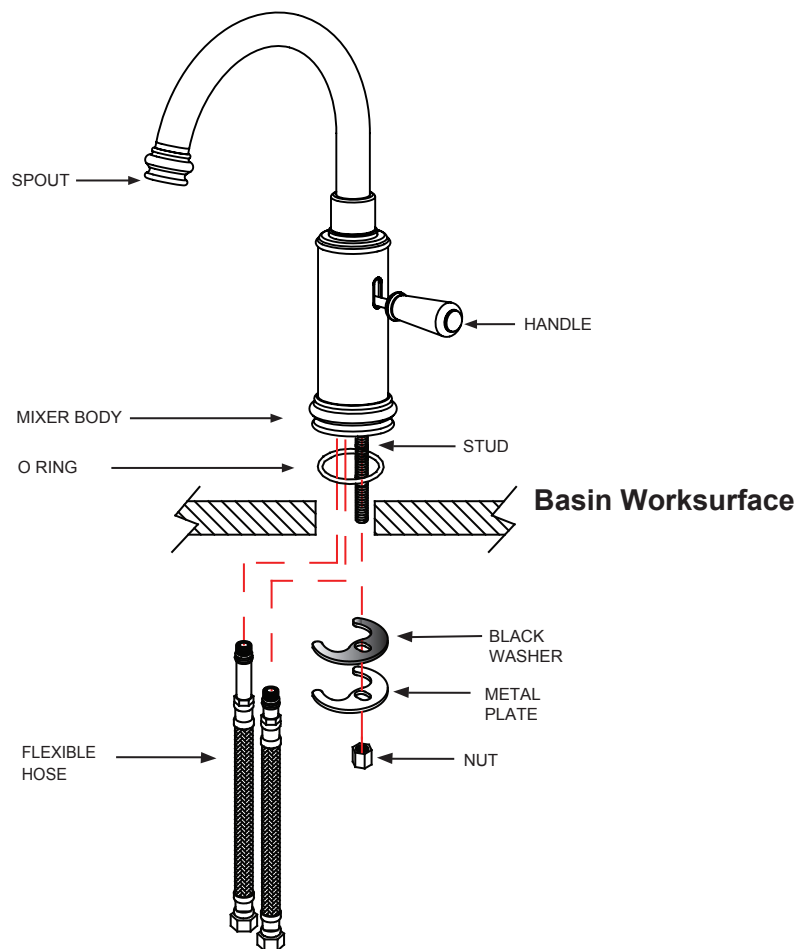


Dimension



Installation



1. Fit the O ring into the groove on the underside of the mixer body.
2. Screw and tighten two flexible hose into the mixer body.
3. Pass the flexible hoses and stud through the hole in basin. Slide the black washer and metal plate onto the stud. Then screw on the nut and tight the mixer on basin.

Maintenance

Note : Remember to turn off the water supply before commencing any maintenance.

We do NOT recommend you use any household cleaners to clean the product. Because these cleaners change substance or formula too frequently. The product should be always cleaned only with soapy water and rinsed with clean water and dried with a soft cloth.

Cleaning the cartridge

The concealed cartridges should give trouble free service, but in the event of any problem, service is straight forward.

To remove the cartridge

Follow the diagram to remove the cartridge.

1. Remove the lever handle. Loosen the grub screw on the back of spout with allen key supplied (see Fig.1).
2. Pull out the spout. Unscrew the finished connector (see Fig.2).
3. Remove the finished body, brass sleeve and small brass cap with allen key supplied (see Fig.3).
4. Unscrew the retaining nut and pull the cartridge out (see Fig.4).
5. Wash the cartridge with clean running water. Make sure any trapped debris has been removed.
6. Dry and lightly grease the seal (only use silicone grease).
7. Replace the cartridge. Put back all of parts in sequence.

